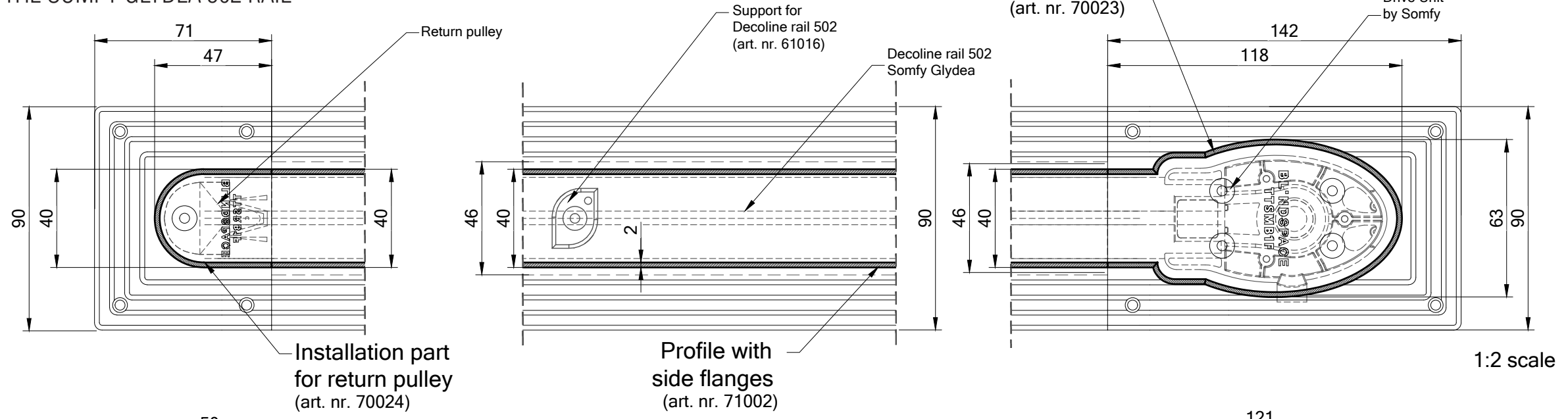
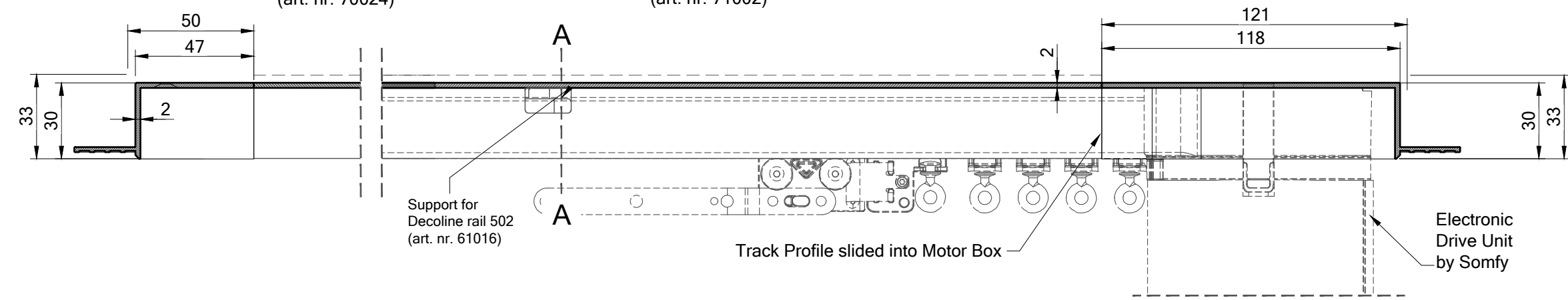


PRODUCT SHEET R-COLLECTION TRACKTRIM FOR THE SOMFY GLYDEA 502 RAIL



1:2 scale



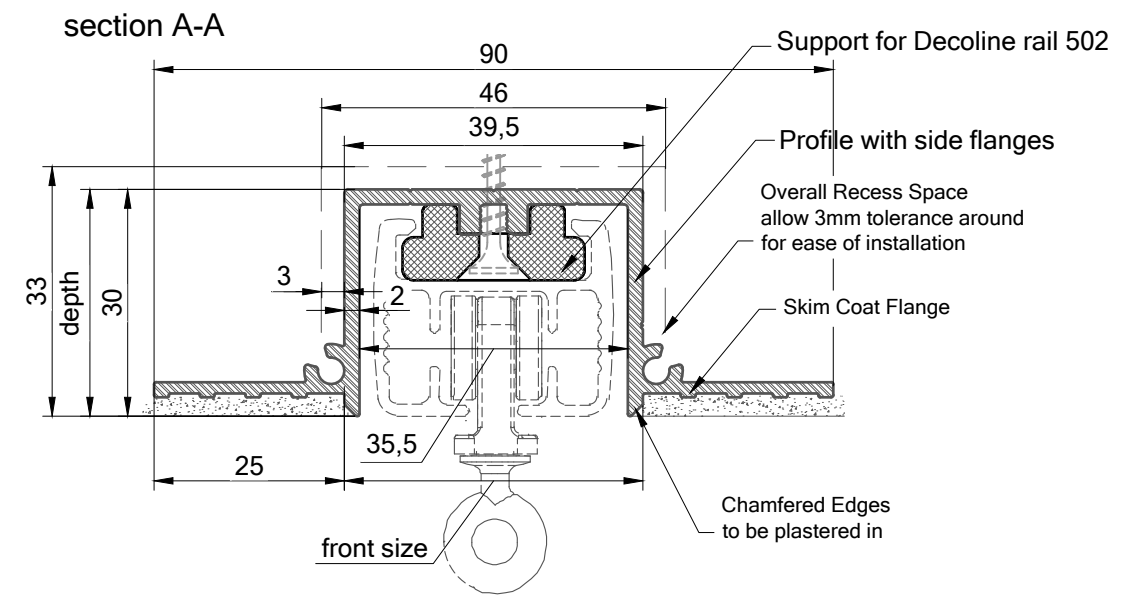
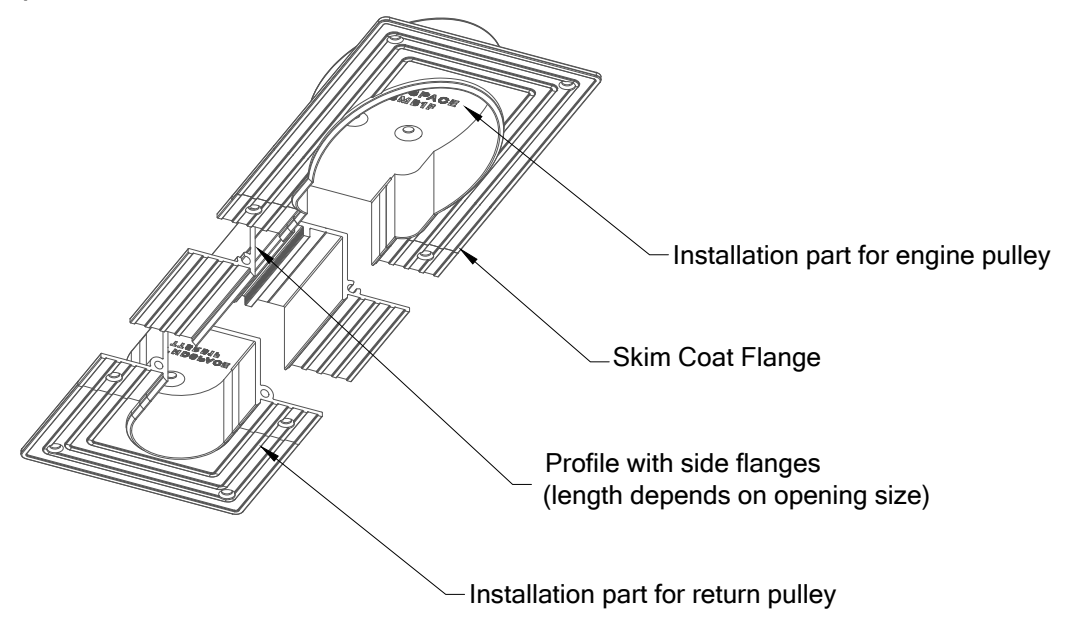
1:2 scale

Installation part for return pulley
(art. nr. 70024)

Profile with side flanges
(art. nr. 71002)

Installation part for engine pulley
(art. nr. 70023)

system composition with hardware



1:1 full scale

Product	R-Collection Tracktrim
Description	Recessed profiles to house curtain tracks
Material	U profile: Anodized Aluminium, grade: EN 6060 T66 End cap: Plastic POM Polymer
Finishes	White to be plastered in and decorated at site to match ceiling.
Track sizes	Curtain Track Sizes to fit inside the box: space available for third party track profile: W35xH27
Installation	Anchoring with countersink screws through profile walls near the center of profiles are recommended. The finished plaster level should be flush with chamfered edge.
Drawing	Standard TrackTrim system TT1F
Item name	TT1F, TTMB1F, TTRB1F, TTS1
Notes	Dimensions in mm Do not scale from drawing
Drawn by	M. Kozak M. Wolosz
Approved	A. Sundelin
Revision	change: R-01 First Issue date: 2021/11/07
Drawing code	
Print date	2021-12-07
Print file	tracktrim tt1f v01.dwg
Page size	ISO A3 420x297