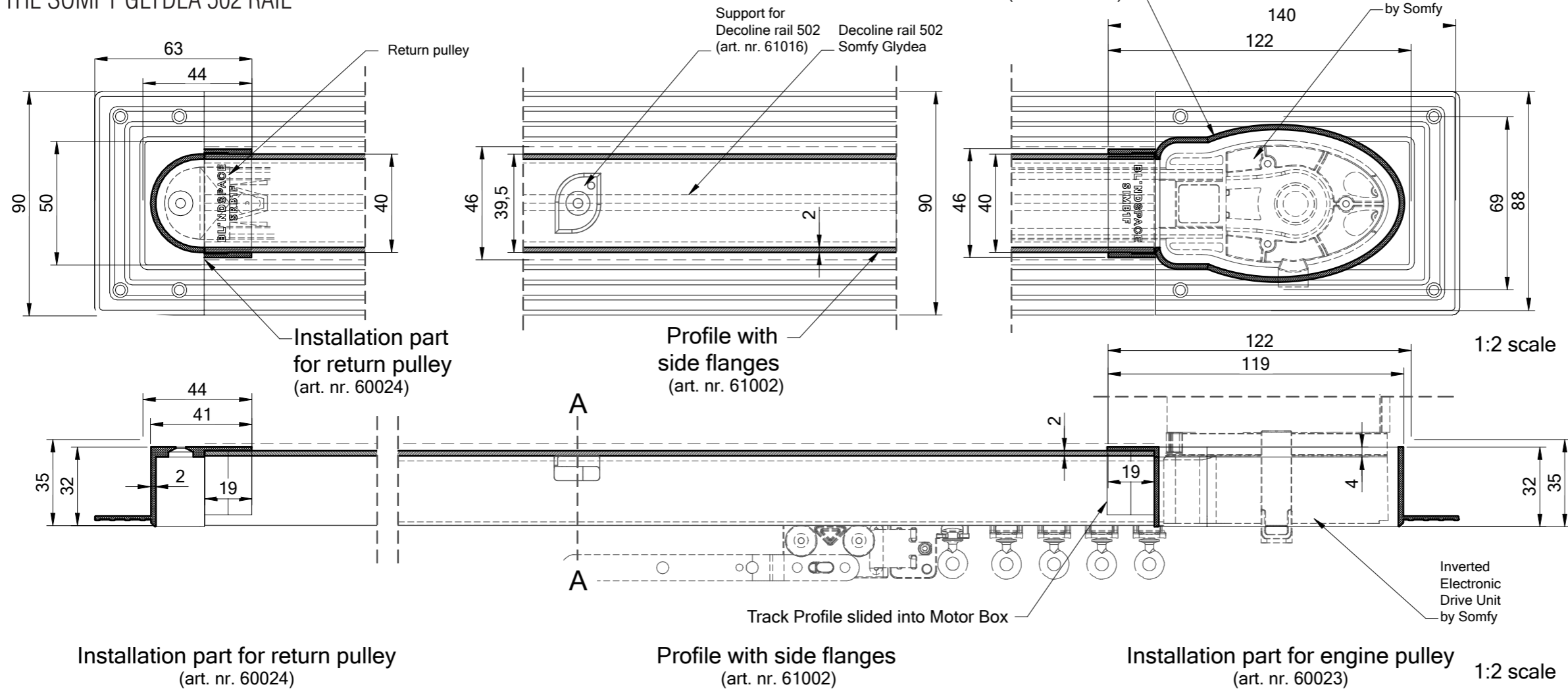


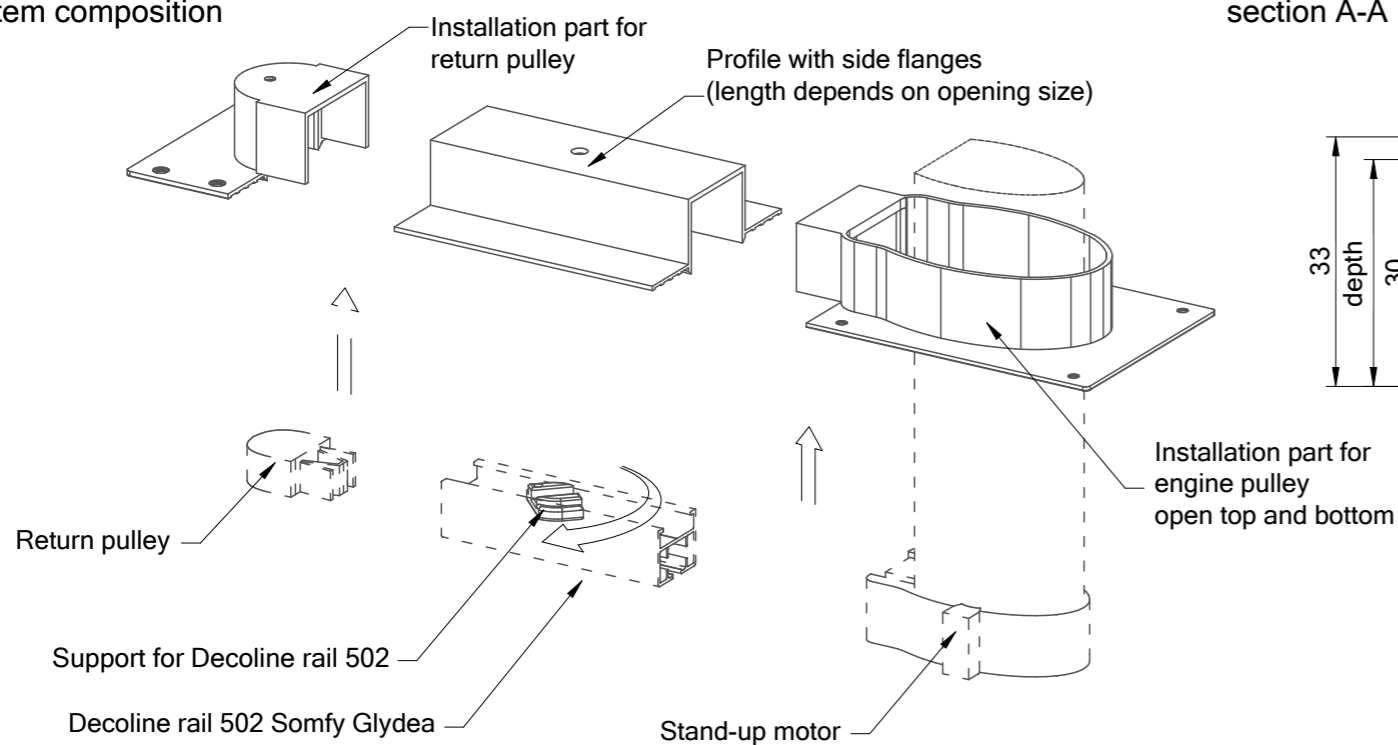
PRODUCT SHEET R-COLLECTION REESE

FOR THE SOMFY GLYDEA 502 RAIL

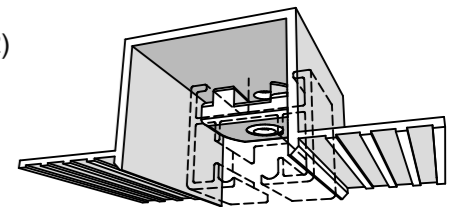
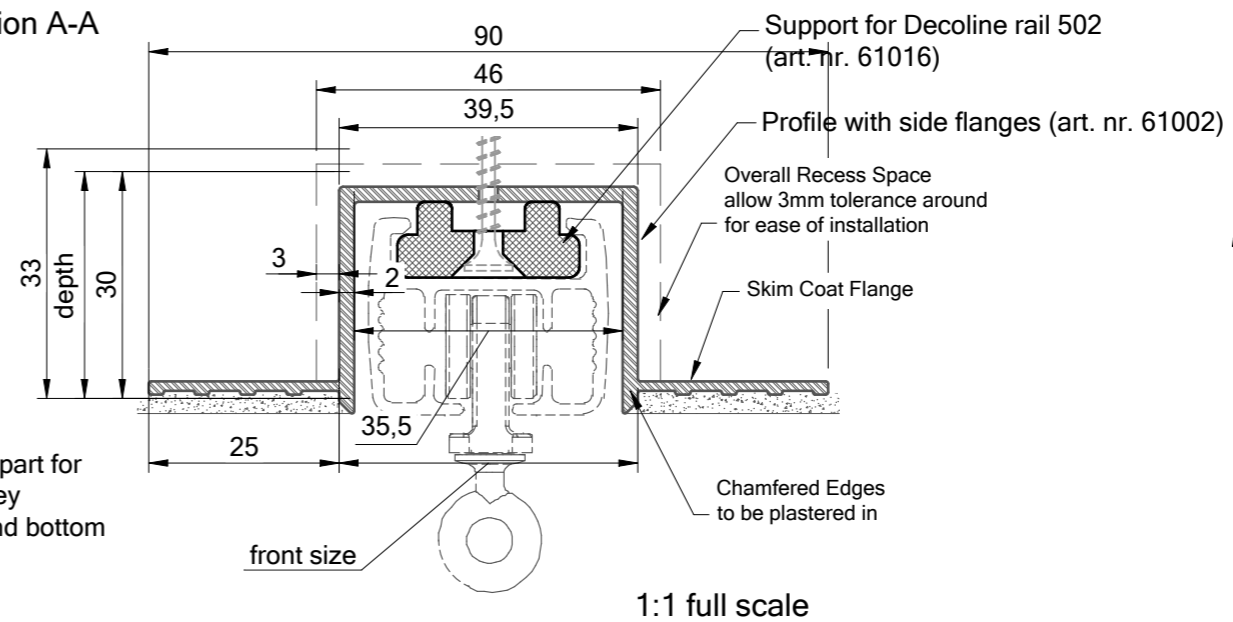


Product	R-Collection Reese	
Description	Recessed profiles to house curtain tracks	
Material	U-profile: Anodized Aluminium, grade: EN 6060 T66 End cap: Plastic POM Polymer	
Finishes	White to be plastered in and decorated at site to match ceiling.	
Tracks sizes	Curtain Tracks Sizes to fit inside the profiles: space available for third party track profile: W35xH27	
Installation	Anchoring with countersink screws through profile walls near the center of profiles are recommended. The finished plaster level should be flush with chamfered edge.	
Drawing	Standard Reese Track system S1F	
Item name	RT1F, SIMB1F, SRB1F, TTS1	
Notes	Dimensions in mm Do not scale from drawing	
Drawn by	M. Kozak, B. Dzieza	
Approved	A. Sundelin	
Revision	change: R-01 first issue R-02 correction R-03 updated boxes	date: 2021-06-21 2021-12-03 2021-12-03

system composition



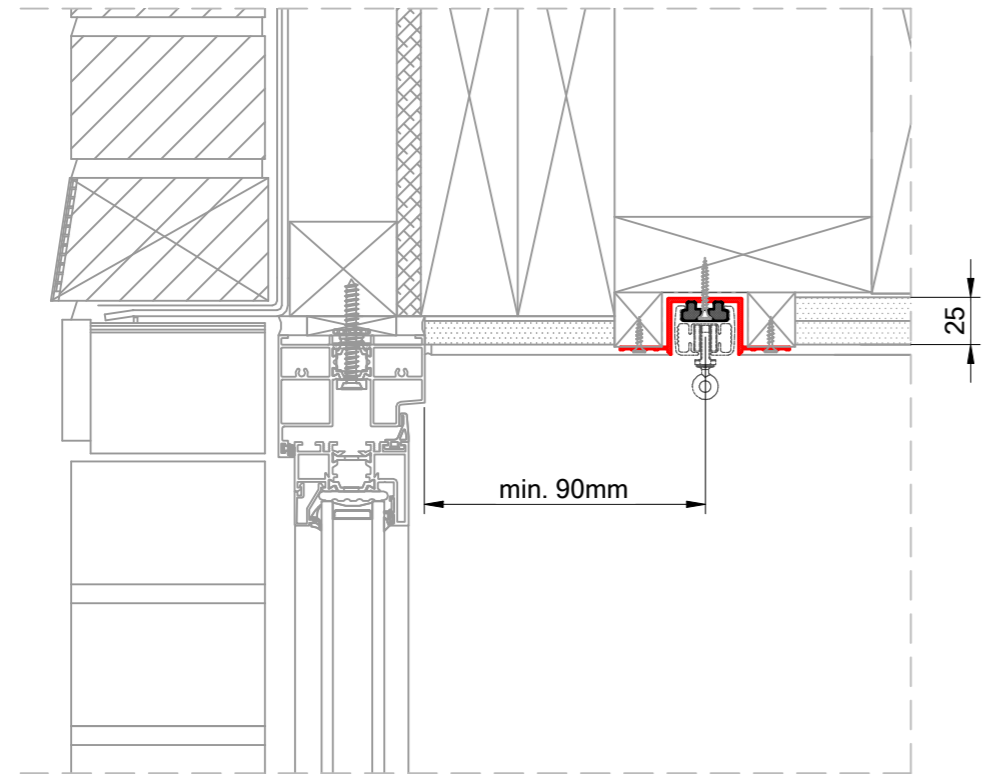
section A-A



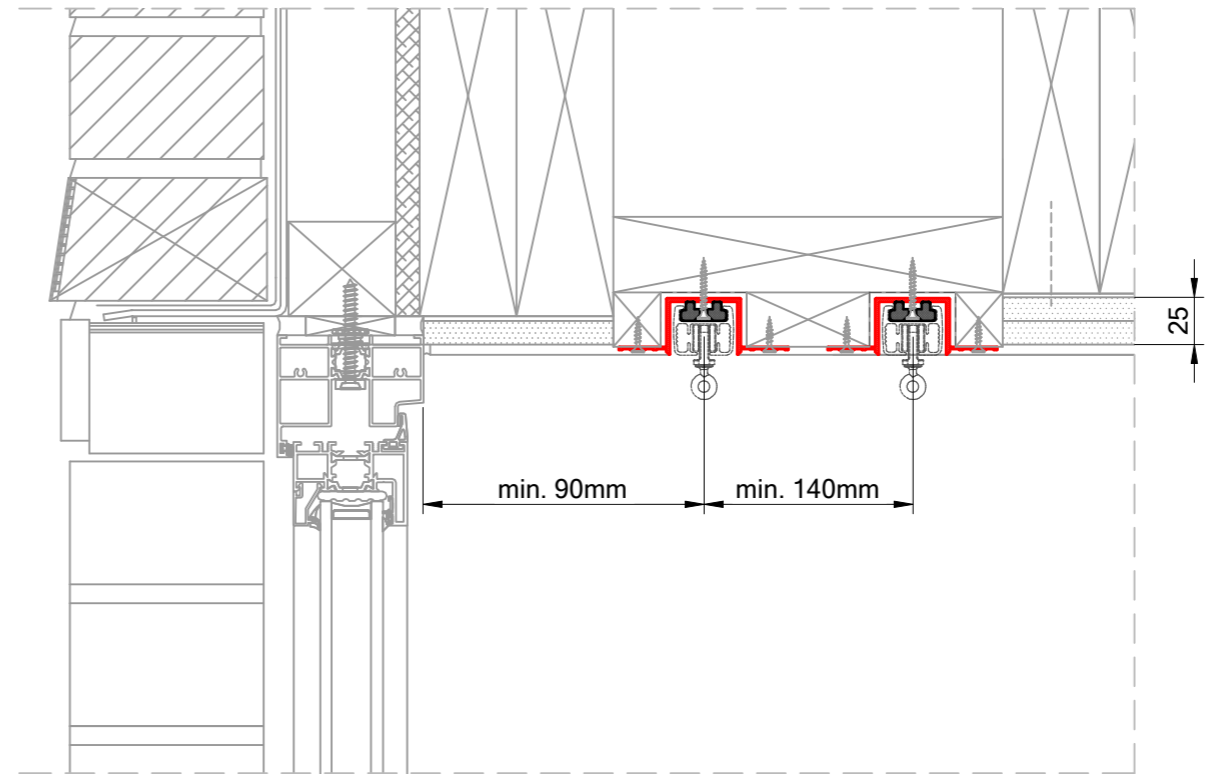
PRODUCT SHEET R-COLLECTION REESE

FOR THE SOMFY GLYDEA 502 RAIL

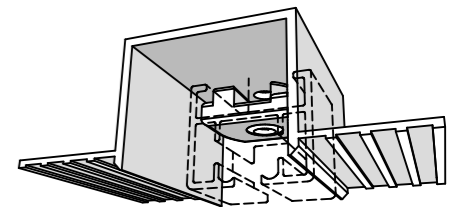
SAMPLE INSTALLATION DETAIL 1
SINGLE TRACK



SAMPLE INSTALLATION DETAIL 2
DUAL TRACK



Product	R-Collection								
Description	Recessed profiles to house curtain tracks								
Material	U-profile: Anodized Aluminium, grade: EN 6060 T66 End cap: Plastic POM Polymer								
Finishes	White to be plastered in and decorated at site to match ceiling.								
Tracks sizes	Curtain Tracks Sizes to fit inside the profiles: space available for third party track profile: W35xH27								
Installation	Anchoring with countersink screws through profile walls near the center of profiles are recommended. The finished plaster level should be flush with chamfered edge.								
Drawing	Standard Reese Track system S1F								
Item name	RT1F, SIMB1F, SRB1F, TTS1								
Notes	Dimensions in mm Do not scale from drawing								
Drawn by	M. Kozak, B. Dzieza								
Approved	A. Sundelin								
Revision	<table border="0"> <tr> <td>change:</td> <td>date:</td> </tr> <tr> <td>R-01 first issue</td> <td>2021-06-21</td> </tr> <tr> <td>R-02 correction</td> <td>2021-12-03</td> </tr> <tr> <td>R-03 updated boxes</td> <td>2021-12-03</td> </tr> </table>	change:	date:	R-01 first issue	2021-06-21	R-02 correction	2021-12-03	R-03 updated boxes	2021-12-03
change:	date:								
R-01 first issue	2021-06-21								
R-02 correction	2021-12-03								
R-03 updated boxes	2021-12-03								



DISCLAIMER:
Note that the architectural detail is shown for reference only and might not show proper solution for a specific building application.
All architectural details shown shall not be used for construction, and shall be drawn by an architect accordingly to a specific building section.
Drawing intent shows possible placement of Blindspace® and/or Reese™ products within generic drywall application.